

Sound Absorption Prediction 3.0



Program copyright Marshall Day Acoustics 2011

Margin of error is generally within +/- 0.05

JobName:ECHO SAVER

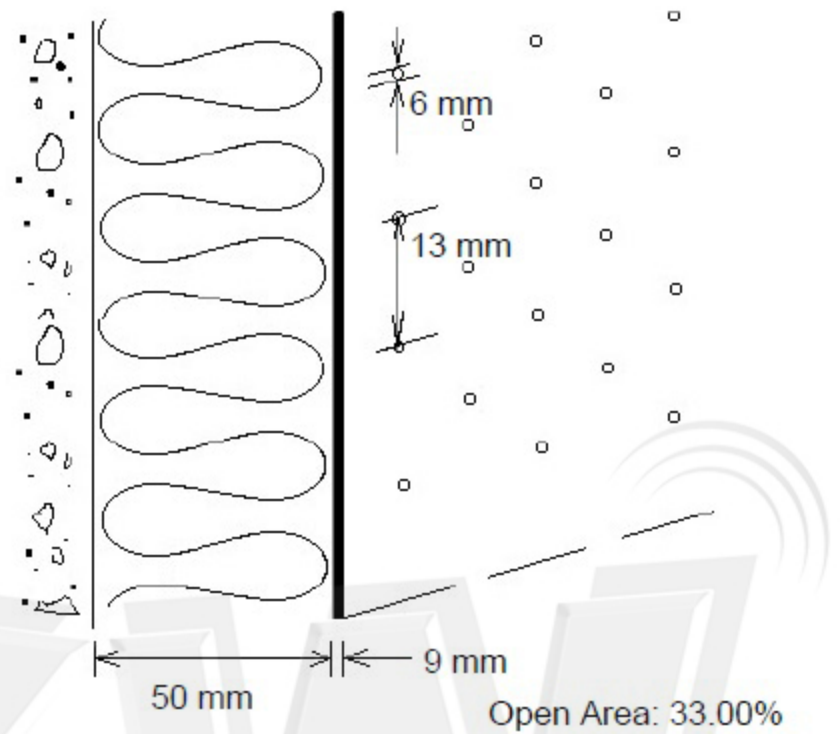
Job No.:

Date: 21 Jun 13

Initials:LOGEN

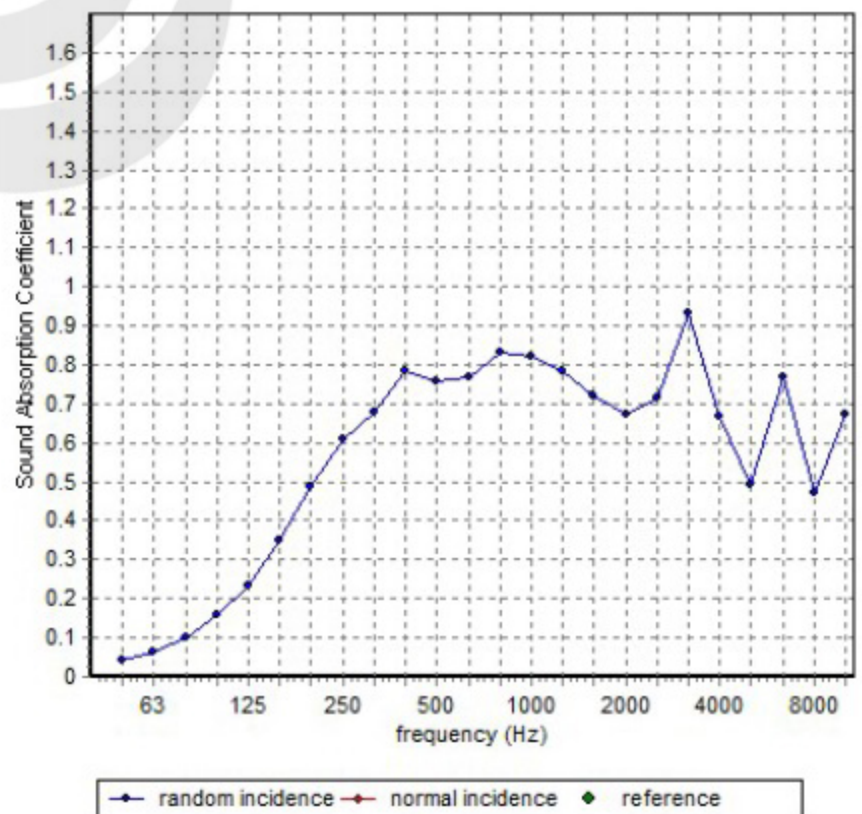
File name:

Notes:



NRC 0.70

Frequency (Hz)	alpha random	
50	0.04	
63	0.06	
80	0.10	
100	0.16	
125	0.24	0.25
160	0.35	
200	0.49	
250	0.61	0.60
315	0.68	
400	0.79	
500	0.76	0.75
630	0.77	
800	0.83	
1000	0.82	0.80
1250	0.79	
1600	0.72	
2000	0.67	0.70
2500	0.72	
3150	0.93	
4000	0.66	0.70
5000	0.49	



Sound Absorption Prediction 3.0



Program copyright Marshall Day Acoustics 2011

Margin of error is generally within +/- 0.05

JobName: ECHO SAVER

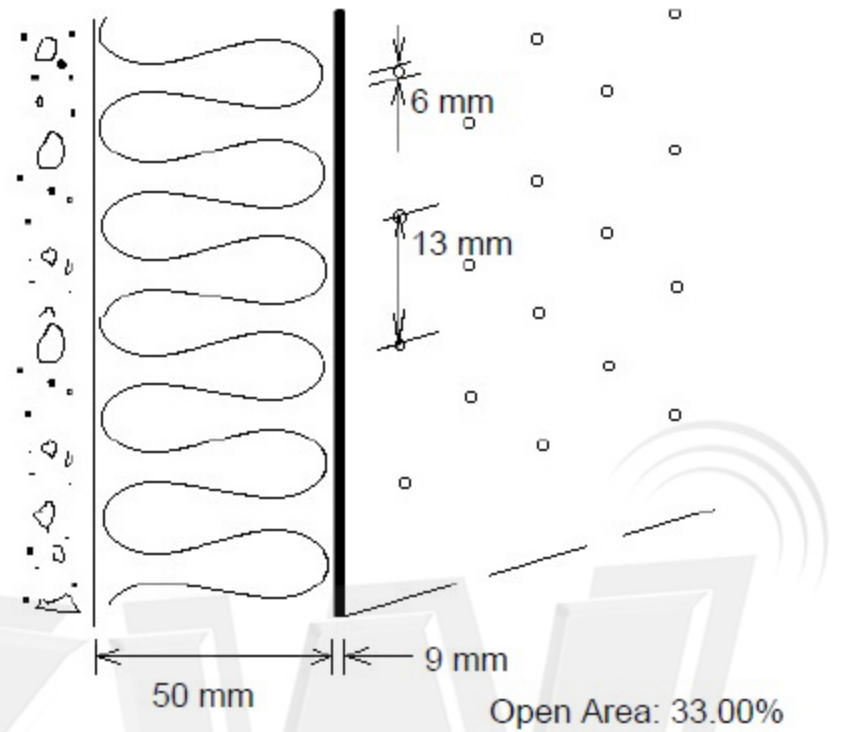
Job No.:

Date: 21 Jun 13

Initials: LOGEN

File name:

Notes:



$\alpha_w : 0.90$

Frequency (Hz)	alpha random	
50	0.04	
63	0.07	
80	0.11	
100	0.17	
125	0.27	0.30
160	0.41	
200	0.59	
250	0.74	0.70
315	0.83	
400	0.96	
500	0.93	0.95
630	0.94	
800	0.99	
1000	0.97	0.95
1250	0.93	
1600	0.88	
2000	0.83	0.85
2500	0.84	
3150	0.92	
4000	0.73	0.75
5000	0.62	

